



MacLean Power Systems
7801 Park Place Rd., York, SC 29745 USA (803) 628-2100

MPS Catalog Number



H2 90 10 035 MX SS 018

Date 7/14/2014

_____ End Fittings _____

Tower End Fitting: _____ Gain / 12 deg / Steel

Line End Fitting _____ 2 HL Drop Tongue / Galv. Ductile Iron

_____ Material _____

Corona Ring (Line) _____ None

Corona Rings are recommended for applications of 230 kV and above

Mounting Angle _____ 12

Number of Sheds _____ 18

Rod Diameter _____ 2.5 in

Weight Estimate _____ 58.4 lbs _____ 26 kg

_____ Dimensional Values _____

Section Length (L): _____ 45.4 in 1154 mm

Rubber Length (X): _____ 35 in

Shed spacing (S): _____ 2.0 in 50 mm

Shed Projection (P): _____ 1.6 in 41 mm

Dry Arc Distance _____ 37.3 in 947 mm

Leakage Distance _____ 95.6 in 2427 mm

_____ Electricals Values _____

60 Hz dry Flashover _____ 360 kV _____ Min. Withstand _____ 338 kV

60 Hz Wet Flashover _____ 333 kV _____ Min. Withstand _____ 260 kV

Pos. Critical Impulse Flashover _____ 618 kV _____ Min. Withstand _____ 553 kV

Neg. Critical Impulse Flashover _____ 705 kV _____ Min. Withstand _____ 590 kV

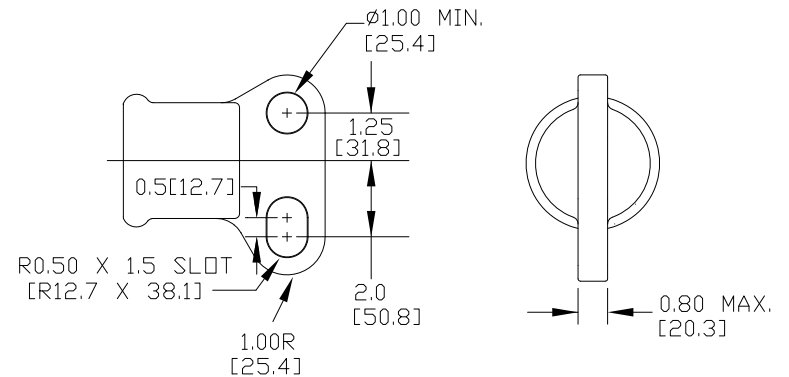
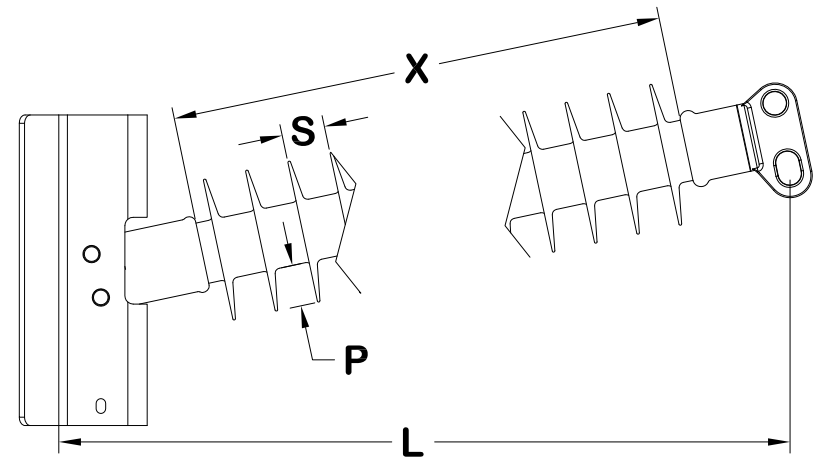
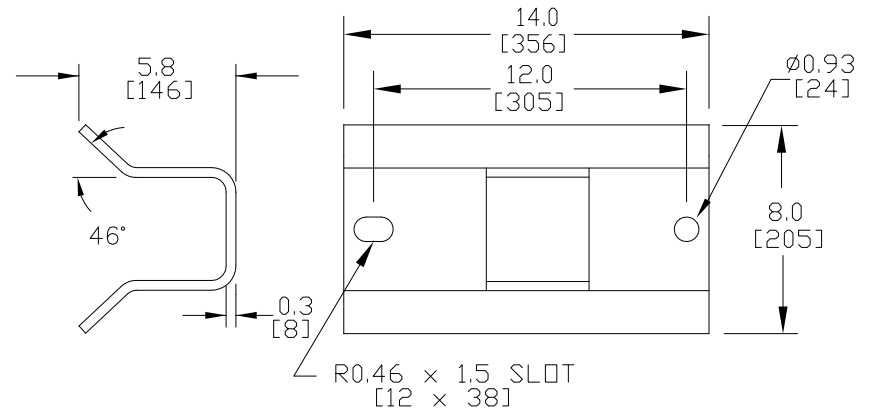
_____ Mechanical Values _____

Max. Design Cant. Load (MDCL) _____ 2,076 lbs _____ 9.2 kN

Specified Cant. Load (SCL) _____ 4,152 lbs _____ 18.5 kN

Specified Tensile Load (STL) _____ 15,000 lbs _____ 66.7 kN

This drawing contains confidential information that is the property of MacLean Power, L.L.C. ("MacLean"). Use of MacLean's confidential information without MacLean's express written consent is strictly prohibited and may expose you to legal liability. If you believe that you received this material in error, please destroy it or return it to "MacLean Power, L.L.C., 7801 Park Place Rd., York, South Carolina 29745, USA."



Dimension: inches [millimeters]

NOTE: Drawing not actual depiction of insulator appearance

Silicone Rubber Sheath & Sheds. Complies with applicable ANSI and IEC standards.